

OSPREY NEW

SEMI-PELAGIC TRAWL DOORS



The Osprey new is a semi-pelagic trawl door made by Morgère®. This powerful door allows a drag and surface reduction. It can be used for both, bottom and semi-pelagic fishing.



REDUCED ANGLE OF ATTACK

V PROFILE, ALLOWING A BETTER STABILITY

ADDITIONAL BALLAST POSSIBLE




ROBUST & STRONG

LOW FUEL CONSUMPTION

CUSTOMIZABLE SIZE & WEIGHT

MORGÈRE S.A.S

 Made in France

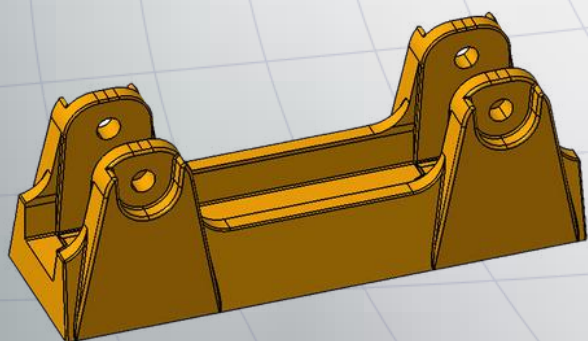
CONTACT

Tél. +33 (0)2 99 56 14 36

15, Rue des Mettras,
Zone Actipole
Miniac-Morvan 35540

www.morgere.com

AREA & WEIGHT ON REQUEST



Type	Area m ²	Average Weight (kg) <i>Specific weight on request</i>
OSP08	0,8	110
OSP09	0,9	160
OSP10	1	195
OSP12	1,25	220
OSP13	1,35	260
OSP15	1,55	300
OSP17	1,7	320
OSP20	2	365
OSP22	2,2	390
OSP25	2,5	410
OSP27	2,7	500
OSP28	2,85	550
OSP32	3,25	600
OSP34	3,45	800
OSP36	3,65	875
OSP37	3,75	900
OSP40	4	950
OSP42	4,25	1000
OSP45	4,5	1000
OSP47	4,7	1000
OSP49	4,95	1150
OSP54	5,4	1250
OSP59	5,95	1500
OSP60	6.00	1575
OSP65	6,5	1950
OSP70	7	1950
OSP72	7,2	2300
OSP76	7,6	2450
OSP88	8,8	2750
OSP94	9,45	3200
OSP100	10.00	3300
OSP107	10,75	3400
OSP120	12	4350
OSP145	14,5	5600